


Ultra-compact Pre-wired Photomicrosensor (Non-modulated) EE-SX95

Meeting Customer Needs with Ultra-compact Sensors that Mount with M3 Screws

- Mount using M3 or M2 screws.
- Reliable sensing slot depth of 6.5 mm.
- Indication of sensing window for easy confirmation of insertion depth.
- Bright indicator for confirmation from many directions.
- Both light-ON and dark-ON outputs provided.
- All models available with either standard cable or flexible robot cable.
- Load short-circuit protection circuit provided.



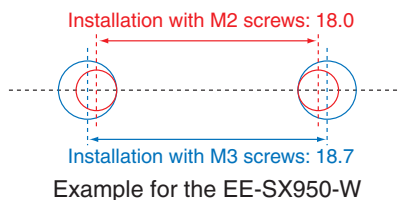
 Refer to the *Safety Precautions* on page 5.

For the most recent information on models that have been certified for safety standards, refer to your OMRON website.

Features

Mount Using M2 or M3 Screws

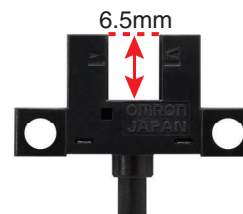
The EE-SX95 can be mounted using M2 or M3 screws, so it can easily replace an existing Sensor mounted with M2 screws.



Reliable Best-in-Class Sensing Slot Depth of 6.5 mm

(Based on April 2013 OMRON investigation.)

A deeper slot helps prevent the sensing object from coming into contact with the base of the slot, creating greater tolerance in mechanism design.



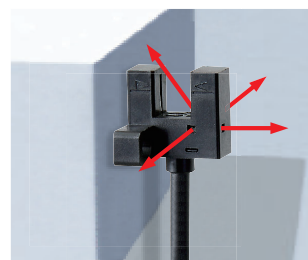
Indication of Sensing Window for Easy Confirmation of Insertion Depth

The location of the sensing window is indicated on the insertion slot so that you can visually confirm whether the sensing object covers the sensing window and easily check the insertion depth.



Bright Indicator for Confirmation from Many Directions

The bright light indicator can be checked from up to four directions to enable flexible selection of the installation location.

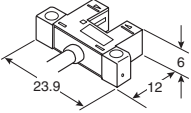

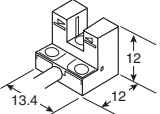
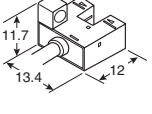
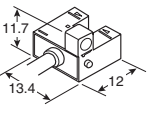
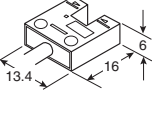


EE-SX95

Ordering Information

Sensors

 Infrared light

| Appearance | Sensing method | Sensing distance | Output configuration | Connection method (Cable length) | Output type | Model |
|--|--|---|------------------------------------|--|-------------|---------------------|
| Standard  | Through-beam (with slot) |  5 mm (slot width) | Light-ON Dark-ON (2 outputs) | Pre-wired model with standard cable (1 m) | NPN | EE-SX950-W 1M *1 |
| | | | | | PNP | EE-SX950P-W 1M *2 |
| | | | | Pre-wired model with robot cable (1 m) | NPN | EE-SX950-R 1M *1 |
| | | | | Pre-wired connector model with robot cable (0.3 m) | NPN | EE-SX950-C1J-R 0.3M |
| L-shaped  | | | | Pre-wired model with standard cable (1 m) | NPN | EE-SX951-W 1M *1 |
| | | | | | PNP | EE-SX951P-W 1M *2 |
| | | | | Pre-wired model with robot cable (1 m) | NPN | EE-SX951-R 1M *1 |
| | | | | Pre-wired connector model with robot cable (0.3 m) | NPN | EE-SX951-C1J-R 0.3M |
| F-shaped  | | | | Pre-wired model with standard cable (1 m) | NPN | EE-SX952-W 1M *1 |
| | | | | | PNP | EE-SX952P-W 1M *2 |
| | | | | Pre-wired model with robot cable (1 m) | NPN | EE-SX952-R 1M *1 |
| | | | | Pre-wired connector model with robot cable (0.3 m) | NPN | EE-SX952-C1J-R 0.3M |
| R-shaped  | | | | Pre-wired model with standard cable (1 m) | NPN | EE-SX953-W 1M *1 |
| | | | | | PNP | EE-SX953P-W 1M *2 |
| | | | | Pre-wired model with robot cable (1 m) | NPN | EE-SX953-R 1M *1 |
| | | | | Pre-wired connector model with robot cable (0.3 m) | NPN | EE-SX953-C1J-R 0.3M |
| U-shaped  | Pre-wired model with standard cable (1 m) | NPN | EE-SX954-W 1M *1 | | | |
| | | PNP | EE-SX954P-W 1M *2 | | | |
| | Pre-wired model with robot cable (1 m) | NPN | EE-SX954-R 1M *1 | | | |
| | Pre-wired connector model with robot cable (0.3 m) | NPN | EE-SX954-C1J-R 0.3M | | | |

*1. A model is available with a 3-m cable. The model number is EE-SX95□-□ 3M.(Example: EE-SX950-W 3M)

*2. A pre-wired model with a PNP output and 1-m robot cable is available. The model number is EE-SX95□P-R 1M.(Example: EE-SX950P-R 1M)

Accessories (Order Separately)

Connector with Robot Cable

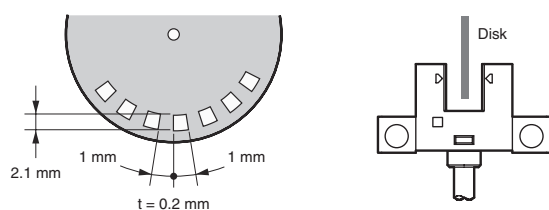
| Type | Cable length | Model | Remarks |
|----------------------|--------------|-----------|--|
| Connector with Cable | 2 m | EE-1016-R | Connector with lock, AWG26, 4-core Robot Cable |

Ratings and Specifications

| Item | Type | | Standard | L-shaped | F-shaped | R-shaped | U-shaped |
|------------------------------------|----------------------------|----------------------------|---|----------------|----------------|----------------|----------------|
| | NPN output | Pre-wired models | EE-SX950-□ | EE-SX951-□ | EE-SX952-□ | EE-SX953-□ | EE-SX954-□ |
| | | Pre-wired connector models | EE-SX950-C1J-R | EE-SX951-C1J-R | EE-SX952-C1J-R | EE-SX953-C1J-R | EE-SX954-C1J-R |
| PNP output | Pre-wired models | | EE-SX950P-□ | EE-SX951P-□ | EE-SX952P-□ | EE-SX953P-□ | EE-SX954P-□ |
| Sensing distance | | | 5 mm (slot width) | | | | |
| Standard sensing object | | | Opaque: 1.8 × 0.8 mm min. | | | | |
| Differential travel | | | 0.025 mm max. *1 | | | | |
| Light source (wave length) | | | Infrared LED (940 nm) | | | | |
| Indicator | | | Light indicator (red LED) | | | | |
| Power supply voltage | | | 5 to 24 VDC ±10%, ripple (p-p): 10% max. | | | | |
| Current consumption | | | 15 mA max. | | | | |
| Control output | | | Load power supply voltage: 5 to 24 VDC Load current: 50 mA max. OFF current: 0.5 mA max. 50 mA load current with a residual voltage of 0.7 V max. 5 mA load current with a residual voltage of 0.4 V max. | | | | |
| Protection circuit | | | Load short-circuit protection | | | | |
| Response frequency | | | 1 kHz min. (3 kHz average) *2 | | | | |
| Ambient illumination | | | 1,000 lx max. with fluorescent light on the surface of the receiver | | | | |
| Ambient temperature range | | | Operating: -25 to 55°C Storage: -30 to 80°C (with no icing or condensation) | | | | |
| Ambient humidity range | | | Operating: 5% to 85% Storage: 5% to 95% (with no icing or condensation) | | | | |
| Vibration resistance (destruction) | | | 10 to 2,000 Hz (peak acceleration: 150m/s ²) with a 0.75-mm single amplitude for 2.5 h (15-min periods, 10 cycles) each in X, Y, and Z directions | | | | |
| Shock resistance (destruction) | | | 500 m/s ² for 3 times each in X, Y, and Z directions | | | | |
| Degree of protection | | | IEC60529 IP50 | | | | |
| Connection method | | | Pre-wired models (standard length: 1 m), Pre-wired connector models (standard length: 0.3 m) | | | | |
| Weight (packed state) | Pre-wired models | | Approx. 15 g | | | | |
| | Pre-wired connector models | | Approx. 7 g | | | | |
| Materials | Case/cover | | Polybutylene terephthalate (PBT) | | | | |
| | Emitter/receiver | | Polycarbonate (PC) | | | | |

*1. The differential travel is the value when a sensing object is moved in a lateral direction to the slot.

*2. The response frequency was measured by detecting the following rotating disk.



Applicable Connector

| Item | Product Model | Connector with Robot Cable |
|---|---|----------------------------|
| | Appearance | EE-1016-R |
| Contact resistance | 25 mΩ max. (at 10 mA DC and 20 mV max.) | |
| Insertion strength | 20 N max. | |
| Surplus strength (housing holding strength) | 15 N min. | |
| Cable length | 2 m | |
| Ambient temperature range | -25 to 85°C | |
| Materials | Housing | Nylon |
| | Contact | Phosphor bronze |

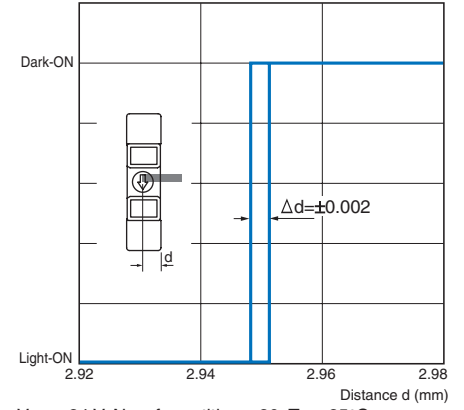
EE-SX95

Engineering Data (Reference Value)

Sensing Position Characteristics



Repeated Sensing Position Characteristics



Vcc = 24 V, No. of repetitions: 20, Ta = 25°C
(Differential travel = 0.025 mm max.)

Note: The data applies to dark status. Operation may be affected by external light interference or light coming through the sensing object.

I/O Circuit Diagrams

| Output type | Model | Output transistor operation status | Timing charts | Output circuit |
|-------------|--|------------------------------------|---|----------------|
| NPN output | EE-SX950-□ EE-SX951-□ EE-SX952-□ EE-SX953-□ EE-SX954-□ EE-SX950-C1J-R EE-SX951-C1J-R EE-SX952-C1J-R EE-SX953-C1J-R EE-SX954-C1J-R | OUT1: Light-ON OUT2: Dark-ON | Incident light No incident light Light indicator ON (red) OFF Output 1 ON transistor OFF Load 1 Operate (e.g., relay) Reset Output 2 ON transistor OFF Load 2 Operate (e.g., relay) Reset | |
| | | | | |
| PNP output | EE-SX950P-□ EE-SX951P-□ EE-SX952P-□ EE-SX953P-□ EE-SX954P-□ | | | |

Safety Precautions

Refer to *Warranty and Limitations of Liability*.

⚠ WARNING

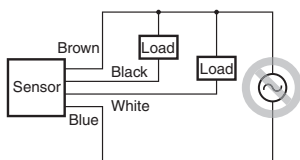
This product is not designed or rated for ensuring safety of persons either directly or indirectly. Do not use it for such purposes.



Precautions for Safe Use

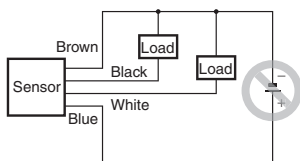
Power Supply Voltage

Do not exceed the voltage range indicated in the specifications. Applying a voltage exceeding the specifications or using an AC power supply may result in rupture or burning.



Faulty Wiring

Do not reverse the power supply polarity. Doing so may result in rupture or burning.



Load Short-circuit

Do not short-circuit the load. (Do not connect to the power supply.) Doing so may result in rupture or burning.



Precautions for Correct Use

Do not use the product in atmospheres or environments that exceed product ratings.

● Operating Environment

- Do not install the Sensor in the following places to prevent malfunction or trouble:
 - Places exposed to dust or oil mist
 - Places exposed to corrosive gas
 - Places directly or indirectly exposed to water, oil, or chemicals
 - Outdoor or places exposed to intensive light, such as direct sunlight
- Be sure to use the Sensor under the rated ambient temperature.
- The Sensor may be dissolved by exposure to organic solvents, acids, alkali, or aromatic hydrocarbons, aliphatic chloride hydrocarbons causing deterioration in characteristics. Do not expose the Sensor to such chemicals.

● Installation

- It is assumed that EE-SX95 Sensors will be built into a device. These Sensors use non-modulated light and are not equipped to deal with interference from an external light source. When they are used in locations subject to external light interference, such as near a window or under an incandescent light, install them to minimize the effects of external light interference.
- Mount the Sensors securely on a flat surface.
- Use M3 or M2.0 screws to secure the Photomicrosensor. (The stronger M3 screws are recommended. In addition, use flat washers and spring washers to prevent the screws from loosening.) Refer to the following table for the correct tightening torque.

| Screw diameter | Tightening torque |
|----------------|-------------------|
| M2.0 | 0.15 N·m max. |
| M3 | 0.54 N·m max. |

- If the Sensor is to be used on a moving part, secure the cable connection point so that it is not directly subjected to stress.

● Wiring

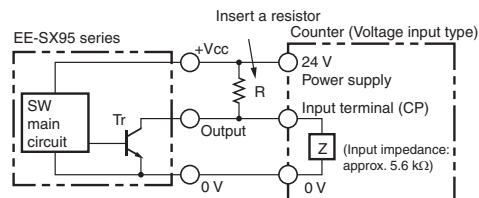
Unused Output Lines

Be sure to isolate output lines that are not going to be used.

Connecting to Devices with Voltage Input

Specifications

A Sensor with an open-collector output can be connected to a counter with a voltage input by connecting a resistor between the power source and output. Select a resistor with reference to the following example. The resistance of the resistor is generally 4.7 kΩ and its wattage is 1/2 W for a supply voltage of 24 V and 1/4 W for 12 V.



Example: EE-SX95 Series
Load Resistance of 4.7 kΩ Connected in a Counter

Counter Specifications

| | |
|---|---------------|
| Input impedance | 5.6 KΩ |
| Voltage judged as high level (input ON) | 4.5 to 30 VDC |
| Voltage judged as low level (input OFF) | 0 to 2 VDC |

The high and low levels are found using the following formulas. The input device specifications must satisfy both formulas.

High level:

$$\text{Input voltage } V_H = \frac{Z}{R+Z} \times V_{CC} = \frac{5.6 \text{ k}}{4.7 \text{ k} + 5.6 \text{ k}} \times 24 \text{ V} = 13 \text{ V}$$

Low level:

$$\text{Load current } I_c = \frac{V_{CC}}{R} = \frac{24 \text{ V}}{R} = 5.1 \text{ mA} \leq 50 \text{ mA}$$

Input voltage $V_L \leq 1.0 \text{ V}$ (Residual voltage for 50-mA load current)

Note: Refer to the ratings of the Sensor for the residual voltage of the load current.

Load Short-circuit Protection

- The EE-SX95 provides load short-circuit protection. If a load short circuit occurs, the output will go OFF. Check the wiring and cycle the power supply. The load short-circuit protection circuit will be reset. The load short-circuit protection will also operate if the current exceeds the rated load current. If a capacitive load is being used, make sure that the inrush current will not exceed the rated load current.

Other Precautions

- Do not disconnect or wire the cables from the Sensor when power is supplied to the Sensor, or Sensor damage could result.
- Make sure the total length of the power cable connected to the product is less than 10 m.

● Other Precautions

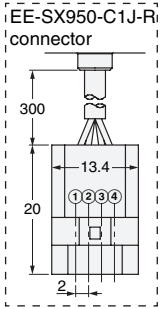
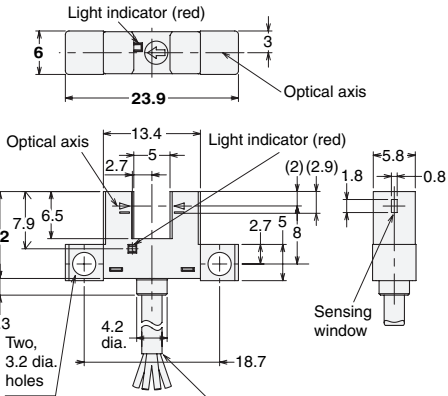
- An output pulse may occur when the power supply is turned ON depending on the power supply and other conditions. The operation of the Sensor will be stable 100 ms after turning ON the power supply.
- Dispose of this product as industrial waste.

Dimensions

Tolerance class IT16 applies to dimensions in this datasheet unless otherwise specified.

Sensors

EE-SX950-□
EE-SX950P-□
EE-SX950-C1J-R

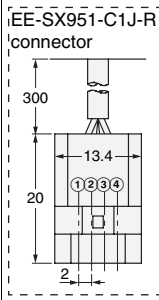
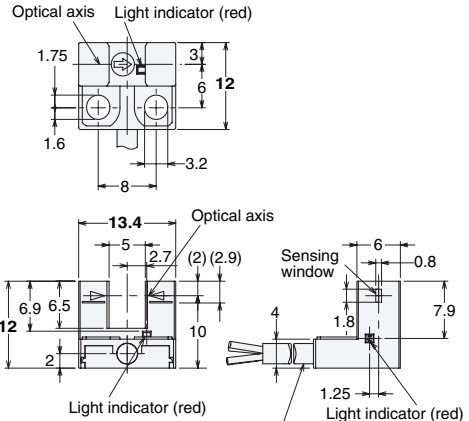


Terminal Arrangement

| | |
|---|----------|
| ① | Vcc |
| ② | OUT2 |
| ③ | GND(0 V) |
| ④ | OUT1 |

-W: Round vinyl-insulated cable of 2.8 dia., 4 cores, (0.14 mm² with 0.9-mm dia. insulator); Standard length: 1 m
-R: Robot cable of 2.8 dia., 4 cores, (0.15 mm² with 0.8-mm dia. insulator); Standard length: 1 m

EE-SX951-□
EE-SX951P-□
EE-SX951-C1J-R

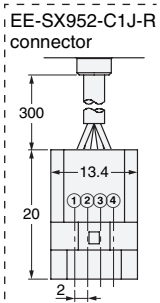
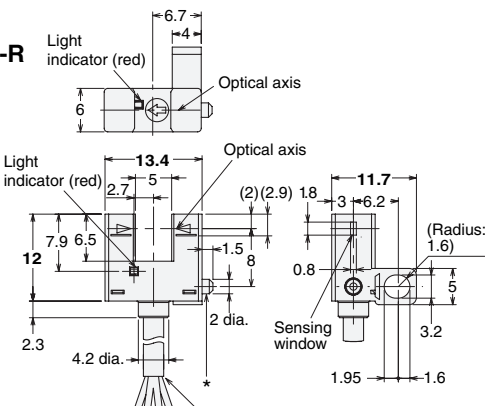


Terminal Arrangement

| | |
|---|----------|
| ① | Vcc |
| ② | OUT2 |
| ③ | GND(0 V) |
| ④ | OUT1 |

-W: Round vinyl-insulated cable of 2.8 dia., 4 cores, (0.14 mm² with 0.9-mm dia. insulator); Standard length: 1 m
-R: Robot cable of 2.8 dia., 4 cores, (0.15 mm² with 0.8-mm dia. insulator); Standard length: 1 m

EE-SX952-□
EE-SX952P-□
EE-SX952-C1J-R



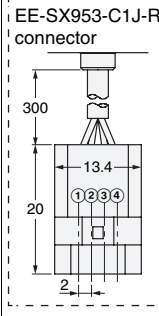
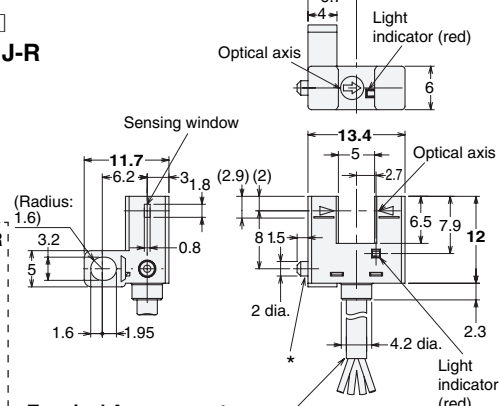
Terminal Arrangement

| | |
|---|----------|
| ① | Vcc |
| ② | OUT2 |
| ③ | GND(0 V) |
| ④ | OUT1 |

-W: Round vinyl-insulated cable of 2.8 dia., 4 cores, (0.14 mm² with 0.9-mm dia. insulator); Standard length: 1 m
-R: Robot cable of 2.8 dia., 4 cores, (0.15 mm² with 0.8-mm dia. insulator); Standard length: 1 m

* The lug is used to prevent turning. When installing, make a fixed hole of 2.1 to 2.3 mm dia.

EE-SX953-□
EE-SX953P-□
EE-SX953-C1J-R



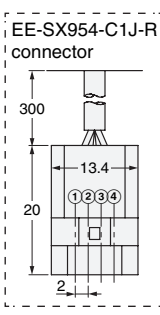
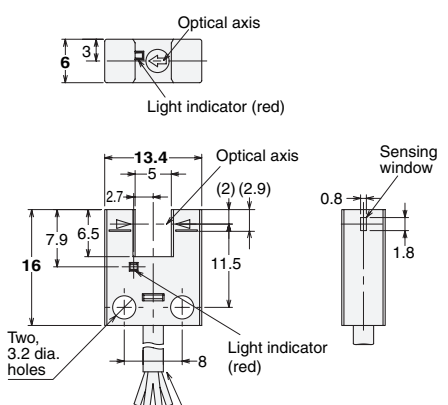
Terminal Arrangement

| | |
|---|----------|
| ① | Vcc |
| ② | OUT2 |
| ③ | GND(0 V) |
| ④ | OUT1 |

-W: Round vinyl-insulated cable of 2.8 dia., 4 cores, (0.14 mm² with 0.9-mm dia. insulator); Standard length: 1 m
-R: Robot cable of 2.8 dia., 4 cores, (0.15 mm² with 0.8-mm dia. insulator); Standard length: 1 m

* The lug is used to prevent turning. When installing, make a fixed hole of 2.1 to 2.3 mm dia.

EE-SX954-□
EE-SX954P-□
EE-SX954-C1J-R



Terminal Arrangement

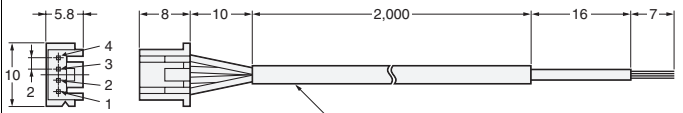
| | |
|---|----------|
| ① | Vcc |
| ② | OUT2 |
| ③ | GND(0 V) |
| ④ | OUT1 |

-W: Round vinyl-insulated cable of 2.8 dia., 4 cores, (0.14 mm² with 0.9-mm dia. insulator); Standard length: 1 m
-R: Robot cable of 2.8 dia., 4 cores, (0.15 mm² with 0.8-mm dia. insulator); Standard length: 1 m

Accessories (Order Separately)

Connector with Robot Cable

EE-1016-R



Terminal Arrangement

| | | |
|---|----------|-------|
| ① | + | Brown |
| ② | OUTPUT 2 | White |
| ③ | - | Blue |
| ④ | OUTPUT 1 | Black |

Robot cable of 2.8 dia., 4 cores, (0.15 mm² with 0.8-mm dia. insulator); Standard length: 2 m

Note: The Connector fits into a connector of the Sensor, so there is no protrusion from the surface of the connector of the Sensor.

Terms and Conditions of Sale

1. **Offer; Acceptance.** These terms and conditions (these "**Terms**") are deemed part of all quotes, agreements, purchase orders, acknowledgments, price lists, catalogs, manuals, brochures and other documents, whether electronic or in writing, relating to the sale of products or services (collectively, the "**Products**") by Omron Electronics LLC and its subsidiary companies ("**Omron**"). Omron objects to any terms or conditions proposed in Buyer's purchase order or other documents which are inconsistent with, or in addition to, these Terms.
2. **Prices; Payment Terms.** All prices stated are current, subject to change without notice by Omron. Omron reserves the right to increase or decrease prices on any unshipped portions of outstanding orders. Payments for Products are due net 30 days unless otherwise stated in the invoice.
3. **Discounts.** Cash discounts, if any, will apply only on the net amount of invoices sent to Buyer after deducting transportation charges, taxes and duties, and will be allowed only if (i) the invoice is paid according to Omron's payment terms and (ii) Buyer has no past due amounts.
4. **Interest.** Omron, at its option, may charge Buyer 1-1/2% interest per month or the maximum legal rate, whichever is less, on any balance not paid within the stated terms.
5. **Orders.** Omron will accept no order less than \$200 net billing.
6. **Governmental Approvals.** Buyer shall be responsible for, and shall bear all costs involved in, obtaining any government approvals required for the importation or sale of the Products.
7. **Taxes.** All taxes, duties and other governmental charges (other than general real property and income taxes), including any interest or penalties thereon, imposed directly or indirectly on Omron or required to be collected directly or indirectly by Omron for the manufacture, production, sale, delivery, importation, consumption or use of the Products sold hereunder (including customs duties and sales, excise, use, turnover and license taxes) shall be charged to and remitted by Buyer to Omron.
8. **Financial.** If the financial position of Buyer at any time becomes unsatisfactory to Omron, Omron reserves the right to stop shipments or require satisfactory security or payment in advance. If Buyer fails to make payment or otherwise comply with these Terms or any related agreement, Omron may (without liability and in addition to other remedies) cancel any unshipped portion of Products sold hereunder and stop any Products in transit until Buyer pays all amounts, including amounts payable hereunder, whether or not then due, which are owing to it by Buyer. Buyer shall in any event remain liable for all unpaid accounts.
9. **Cancellation; Etc.** Orders are not subject to rescheduling or cancellation unless Buyer indemnifies Omron against all related costs or expenses.
10. **Force Majeure.** Omron shall not be liable for any delay or failure in delivery resulting from causes beyond its control, including earthquakes, fires, floods, strikes or other labor disputes, shortage of labor or materials, accidents to machinery, acts of sabotage, riots, delay in or lack of transportation or the requirements of any government authority.
11. **Shipping; Delivery.** Unless otherwise expressly agreed in writing by Omron:
 - a. Shipments shall be by a carrier selected by Omron; Omron will not drop ship except in "break down" situations.
 - b. Such carrier shall act as the agent of Buyer and delivery to such carrier shall constitute delivery to Buyer;
 - c. All sales and shipments of Products shall be FOB shipping point (unless otherwise stated in writing by Omron), at which point title and risk of loss shall pass from Omron to Buyer; provided that Omron shall retain a security interest in the Products until the full purchase price is paid;
 - d. Delivery and shipping dates are estimates only; and
 - e. Omron will package Products as it deems proper for protection against normal handling and extra charges apply to special conditions.
12. **Claims.** Any claim by Buyer against Omron for shortage or damage to the Products occurring before delivery to the carrier must be presented in writing to Omron within 30 days of receipt of shipment and include the original transportation bill signed by the carrier noting that the carrier received the Products from Omron in the condition claimed.
13. **Warranties.** (a) **Exclusive Warranty.** Omron's exclusive warranty is that the Products will be free from defects in materials and workmanship for a period of twelve months from the date of sale by Omron (or such other period expressed in writing by Omron). Omron disclaims all other warranties, express or implied. (b) **Limitations.** OMRON MAKES NO WARRANTY OR REPRESENTATION, EXPRESS OR IMPLIED, ABOUT NON-INFRINGEMENT, MERCHANTABILITY OR FITNESS FOR A PARTICULAR PURPOSE OF THE PRODUCTS. BUYER ACKNOWLEDGES THAT IT ALONE HAS DETERMINED THAT THE PRODUCTS WILL SUITABLY MEET THE REQUIREMENTS OF THEIR INTENDED USE. Omron further disclaims all warranties and responsibility of any type for claims or expenses based on infringement by the Products or otherwise of any intellectual property right. (c) **Buyer Remedy.** Omron's sole obligation hereunder shall be, at Omron's election, to (i) replace (in the form originally shipped with Buyer responsible for labor charges for removal or replacement thereof) the non-complying Product, (ii) repair the non-complying Product, or (iii) repay or credit Buyer an amount equal to the purchase price of the non-complying Product; provided that in no event shall Omron be responsible for warranty, repair, indemnity or any other claims or expenses regarding the Products unless Omron's analysis confirms that the Products were properly handled, stored, installed and maintained and not subject to contamination, abuse, misuse or inappropriate modification. Return of any Products by Buyer must be approved in writing by Omron before shipment. Omron Companies shall not be liable for the suitability or unsuitability or the results from the use of Products in combination with any electrical or electronic components, circuits, system assemblies or any other materials or substances or environments. Any advice, recommendations or information given orally or in writing, are not to be construed as an amendment or addition to the above warranty. See <http://www.omron247.com> or contact your Omron representative for published information.
14. **Limitation on Liability; Etc.** OMRON COMPANIES SHALL NOT BE LIABLE FOR SPECIAL, INDIRECT, INCIDENTAL, OR CONSEQUENTIAL DAMAGES, LOSS OF PROFITS OR PRODUCTION OR COMMERCIAL LOSS IN ANY WAY CONNECTED WITH THE PRODUCTS, WHETHER SUCH CLAIM IS BASED IN CONTRACT, WARRANTY, NEGLIGENCE OR STRICT LIABILITY. Further, in no event shall liability of Omron Companies exceed the individual price of the Product on which liability is asserted.
15. **Indemnities.** Buyer shall indemnify and hold harmless Omron Companies and their employees from and against all liabilities, losses, claims, costs and expenses (including attorney's fees and expenses) related to any claim, investigation, litigation or proceeding (whether or not Omron is a party) which arises or is alleged to arise from Buyer's acts or omissions under these Terms or in any way with respect to the Products. Without limiting the foregoing, Buyer (at its own expense) shall indemnify and hold harmless Omron and defend or settle any action brought against such Companies to the extent based on a claim that any Product made to Buyer specifications infringed intellectual property rights of another party.
16. **Property; Confidentiality.** Any intellectual property in the Products is the exclusive property of Omron Companies and Buyer shall not attempt to duplicate it in any way without the written permission of Omron. Notwithstanding any charges to Buyer for engineering or tooling, all engineering and tooling shall remain the exclusive property of Omron. All information and materials supplied by Omron to Buyer relating to the Products are confidential and proprietary, and Buyer shall limit distribution thereof to its trusted employees and strictly prevent disclosure to any third party.
17. **Export Controls.** Buyer shall comply with all applicable laws, regulations and licenses regarding (i) export of products or information; (ii) sale of products to "forbidden" or other proscribed persons; and (iii) disclosure to non-citizens of regulated technology or information.
18. **Miscellaneous.** (a) **Waiver.** No failure or delay by Omron in exercising any right and no course of dealing between Buyer and Omron shall operate as a waiver of rights by Omron. (b) **Assignment.** Buyer may not assign its rights hereunder without Omron's written consent. (c) **Law.** These Terms are governed by the law of the jurisdiction of the home office of the Omron company from which Buyer is purchasing the Products (without regard to conflict of law principles). (d) **Amendment.** These Terms constitute the entire agreement between Buyer and Omron relating to the Products, and no provision may be changed or waived unless in writing signed by the parties. (e) **Severability.** If any provision hereof is rendered ineffective or invalid, such provision shall not invalidate any other provision. (f) **Setoff.** Buyer shall have no right to set off any amounts against the amount owing in respect of this invoice. (g) **Definitions.** As used herein, "including" means "including without limitation"; and "Omron Companies" (or similar words) mean Omron Corporation and any direct or indirect subsidiary or affiliate thereof.

Certain Precautions on Specifications and Use

1. **Suitability of Use.** Omron Companies shall not be responsible for conformity with any standards, codes or regulations which apply to the combination of the Product in the Buyer's application or use of the Product. At Buyer's request, Omron will provide applicable third party certification documents identifying ratings and limitations of use which apply to the Product. This information by itself is not sufficient for a complete determination of the suitability of the Product in combination with the end product, machine, system, or other application or use. Buyer shall be solely responsible for determining appropriateness of the particular Product with respect to Buyer's application, product or system. Buyer shall take application responsibility in all cases but the following is a non-exhaustive list of applications for which particular attention must be given: (i) Outdoor use, uses involving potential chemical contamination or electrical interference, or conditions or uses not described in this document. (ii) Use in consumer products or any use in significant quantities. (iii) Energy control systems, combustion systems, railroad systems, aviation systems, medical equipment, amusement machines, vehicles, safety equipment, and installations subject to separate industry or government regulations. (iv) Systems, machines and equipment that could present a risk to life or property. Please know and observe all prohibitions of use applicable to this Product. NEVER USE THE PRODUCT FOR AN APPLICATION INVOLVING SERIOUS RISK TO LIFE OR PROPERTY OR IN LARGE QUANTITIES WITHOUT ENSURING THAT THE SYSTEM AS A WHOLE HAS BEEN DESIGNED TO ADDRESS THE RISKS, AND THAT THE OMRON'S PRODUCT IS PROPERLY RATED AND INSTALLED FOR THE INTENDED USE WITHIN THE OVERALL EQUIPMENT OR SYSTEM.
2. **Programmable Products.** Omron Companies shall not be responsible for the user's programming of a programmable Product, or any consequence thereof.
3. **Performance Data.** Data presented in Omron Company websites, catalogs and other materials is provided as a guide for the user in determining suitability and does not constitute a warranty. It may represent the result of Omron's test conditions, and the user must correlate it to actual application requirements. Actual performance is subject to the Omron's Warranty and Limitations of Liability.
4. **Change in Specifications.** Product specifications and accessories may be changed at any time based on improvements and other reasons. It is our practice to change part numbers when published ratings or features are changed, or when significant construction changes are made. However, some specifications of the Product may be changed without any notice. When in doubt, special part numbers may be assigned to fix or establish key specifications for your application. Please consult with your Omron's representative at any time to confirm actual specifications of purchased Product.
5. **Errors and Omissions.** Information presented by Omron Companies has been checked and is believed to be accurate; however, no responsibility is assumed for clerical, typographical or proofreading errors or omissions.